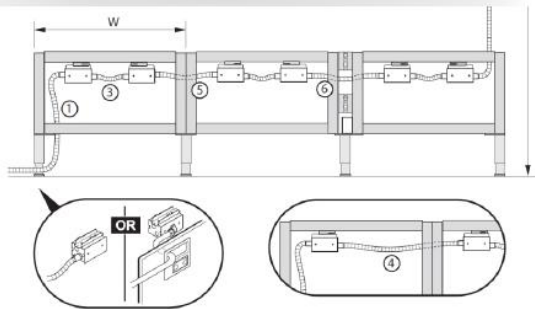




Meet Your Next Workspace



Spine-based system: Compose Connections



- Offers power distribution to the user at an easy-to-access height.
- The spine is raised off the floor for enhanced air flow and a more progressive look.
- The spine's low-profile feet offer the freedom to position freestanding tables where they are needed most.
- Leveling adjustment of system is done within the ankle of the leg. This allows the foot to remain flush to the floor eliminating trip hazards.
- 12"H rail-mounted screens in fabric add visual privacy and offer flexibility to easily move/change over time. Additional heights and materials are available.
- Overall spine height is 27" (overall height with rail-mounted screen is 39").

Suspended Storage: Active Components



- Suspended pedestal is 9" in width for a slim profile to maximize leg clearance.
- “Drawer within a drawer” – concealed interior drawer for smaller items and taller opening for larger personal items (ex. Bag or purse).
- Designed with an open tray ledge intended for users to place their personal devices out-of-sight during focus work and avoid distractions.
- Heavy-duty steel construction for long-lasting performance and durability in an agile work environment.

Height-adjustable desks: Hop and Planes tables



Hop
Qty 8



Planes
Qty 2

- Hop table supports up to 250 lbs and Planes up to 300 lbs, both including the worksurface.
- Height adjustment range of 25.7 – 51.3 inches, including the top, using a dual stage base.
- Hop's base width expands and contracts to accommodate various worksurface sizes and shapes allowing for adaptability as needs may change over life of product.
- Lockable casters make for ease of reconfiguring to allow for personal choice of layout and orientation.
- *Option to program a desired range of height for a low (seated) and high (standing) position:*
 1. *Adjust top to desired high position. Press and hold both up and down arrow buttons for 15 seconds until you hear two clicks.*
 2. *Adjust top to desired low position. Press and hold both up and down arrow buttons for 15 seconds until you hear one click.*

Privacy screens and accessories: Belong



- Screens are purposefully located using a height that falls just below the worksurface for ease of access to the power in the spine.
- Height of screen above the worksurface is intentional for minimizing visual distractions while tasking at monitor.
- Rigid, sturdy construction to withstand high-degree of mobility in an open layout.